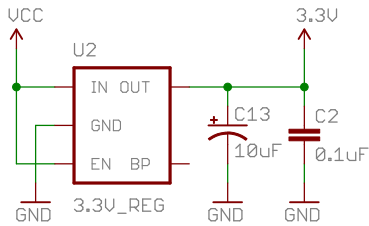
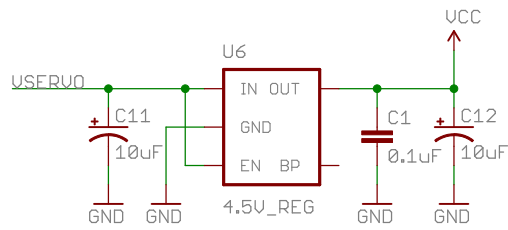
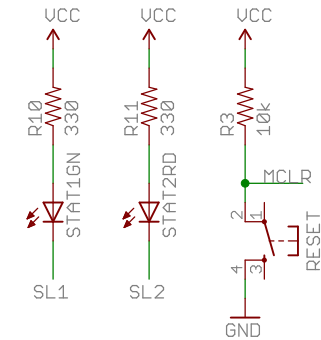
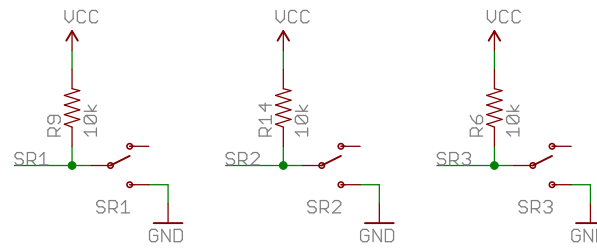


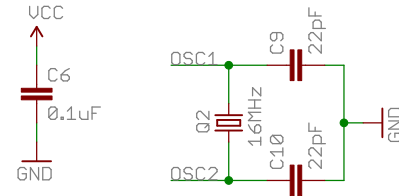
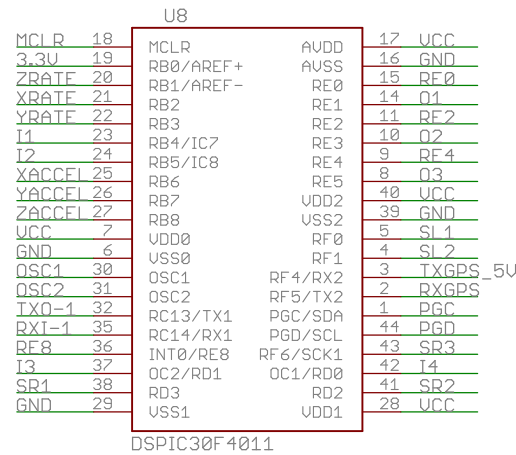
VOLTAGE REGULATION



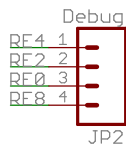
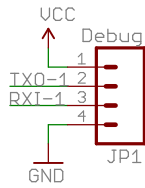
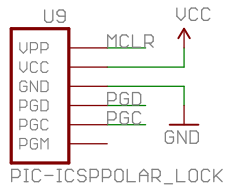
SWITCHES & LEDS



CPU



PORTS



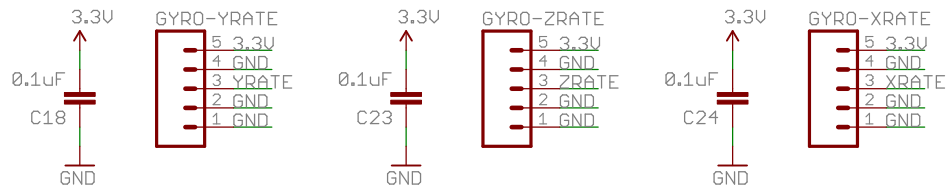
Released under the Creative Commons Attribution Share-Alike 3.0 License
<http://creativecommons.org/licenses/by-sa/3.0>
 Design by: ○ ○ ○ ○ ⊗ ⊗

UAV Development Platform

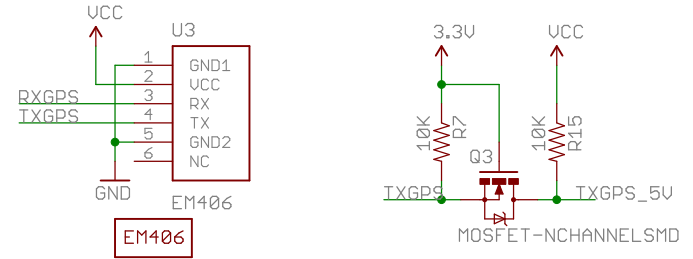
TITLE: UAV_v30		SFE
Document Number:		REV:
Date: 8/19/2010 4:07:09 PM	Sheet: 1/2	

Firmware Developed by
 William Premerlani, Ph.D.
 Hardware Developed by
 A. Weiss

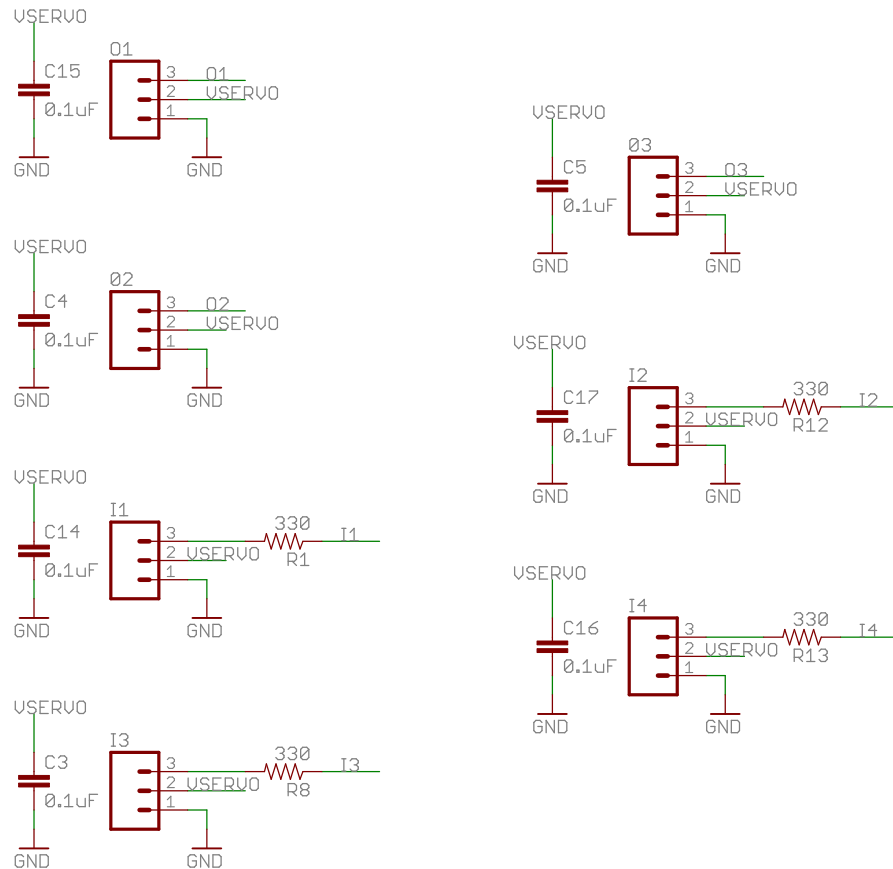
GYROS



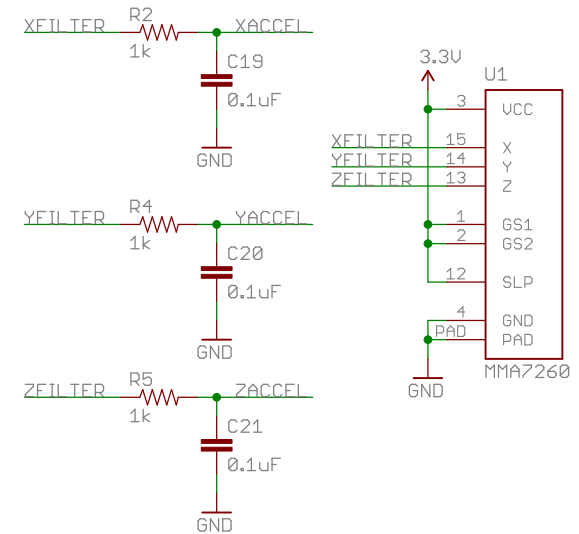
GPS



SERVOES



ACCELEROMETER



UAV Development Platform

TITLE: UAV_v30

Document Number:

REV:

Date: 8/19/2010 4:07:09 PM

Sheet: 2/2